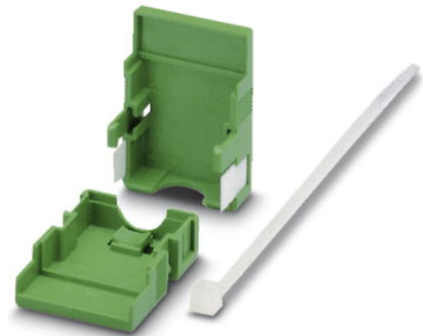


KGG-MC 1,5/ 3

Order No.: 1834356



<http://eshop.phoenixcontact.de/phoenix/treeViewClick.do?UID=1834356>

Cable housing, for cable diameters of up to 8.5 mm, cable ties and marker strips are included, color: green, no. of positions: 3

Commercial data	
EAN	4017918051877
Pack	10 Pcs.
Customs tariff	85472000
Weight/Piece	0.004282 KG
Catalog page information	Page 166 (CC-2007)

Product notes

WEEE/RoHS-compliant since:
01/01/2003



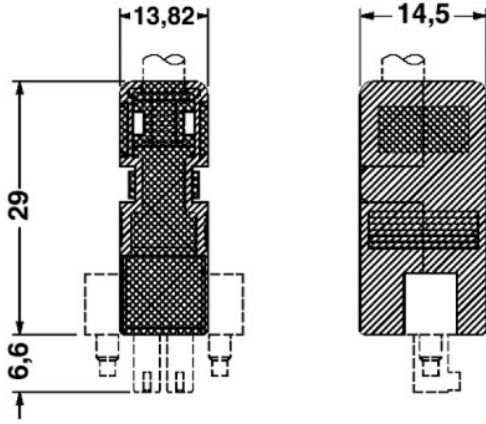
<http://www.download.phoenixcontact.com>
Please note that the data given here has been taken from the online catalog. For comprehensive information and data, please refer to the user documentation. The General Terms and Conditions of Use apply to Internet downloads.

Accessories

Item	Designation	Description
Marking		
1007248	SBS10:UNBEDRUCKT	Marker cards, unprinted, for individual labeling with the M-PEN, 250-section, perforated, white plastic

Drawings

Dimensioned drawing



Address

PHOENIX CONTACT GmbH & Co. KG
Flachsmarktstr. 8
32825 Blomberg, Germany
Phone +49 5235 3 00
Fax +49 5235 3 41200
<http://www.phoenixcontact.de>



© 2008 Phoenix Contact
Technical modifications reserved;